



BATTERY CHARGER

MODEL: ACH24

Features:

- * Smart Battery Charger
- * Battery Voltage 24V
- * 3 stage charging
- * Charging characteristic - Constant Current / Constant Voltage
- * Output Charge Voltage - 27.6 VDC
- * Charge Current Limit - 7A,
- * AC Input voltage: 115 / 230 VAC (internal switch)
- * Battery reverse polarity protection.
- * Short circuit and overcurrent protection
- * Over voltage/Over temperature protection
- * Indication: AC, Charging, Ready

General Characteristics:

1	<u>Input:</u>	
1.1	AC Input Voltage	88~132 VAC / 176~264 VAC Selected by internal switch
1.2	AC Input Frequency	47~63 Hz
1.3	AC Input Current, max	1.8 A
1.4	Efficiency	> 85 %
1.5	Power Factor	0.65
1.6	Leakedge current	<3.5mA/240V
2	<u>Charger:</u>	
2.1	Output Boost Charge Voltage	28.4 VDC ± 0.2 V
2.2	Charge Current Limit	7 A +/-0.5 A
2.3	Ripple & Noise	50 mVp-p
2.4	Line Regulation	± 0.5 %
3	<u>Protections:</u>	
3.1	Over Voltage	31-35VDC
3.2	Over Load	110% output current
3.3	Short Circuit	Output Shutdown
3.4	Battery Revers Polarity	By internal fuse
3.5	Over Temperature	> +85 °C Shutdown / Auto Recovery
6	<u>Ambient:</u>	
6.1	Working Temperature	-10°C ~ +55 °C
6.2	Working Humidity	90% RH
6.3	Storage Temperature	-20°C ~ +85 °C,
6.4	Storage Humidity	10% ~ 95% RH
7	<u>EMC & Safety Standerds:</u>	
7.1	Withstand Voltage	Input / Output: 3.0 KVAC
		Input / GND: 1.5 KVAC
		Output / GND: 0.5 KVAC

7.2	Isolation Resistance	Input / Output: 100M Ohms / 500 VDC
		Input / GND: 100M Ohms / 500 VDC
		Output / GND: 100M Ohms / 500 VDC
7.3	Safety Standards (Meet)	TUV, EN60950, EN60950-1
7.4	EMC/ENS Immunity Standards (Meet)	EN6100-4-2,3,4,5,6,8,11; ENV50204, EN55024, EN55022-B
8	Dimension	350x200x200
9	Environment	IP54
10	Weight	5 kG

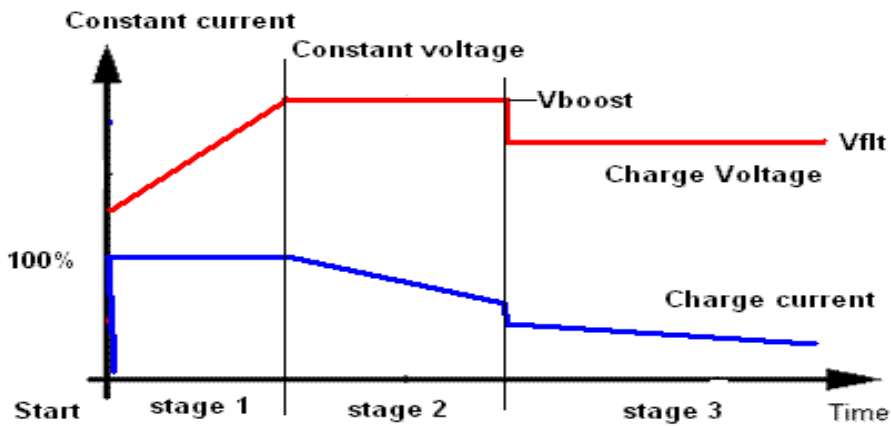
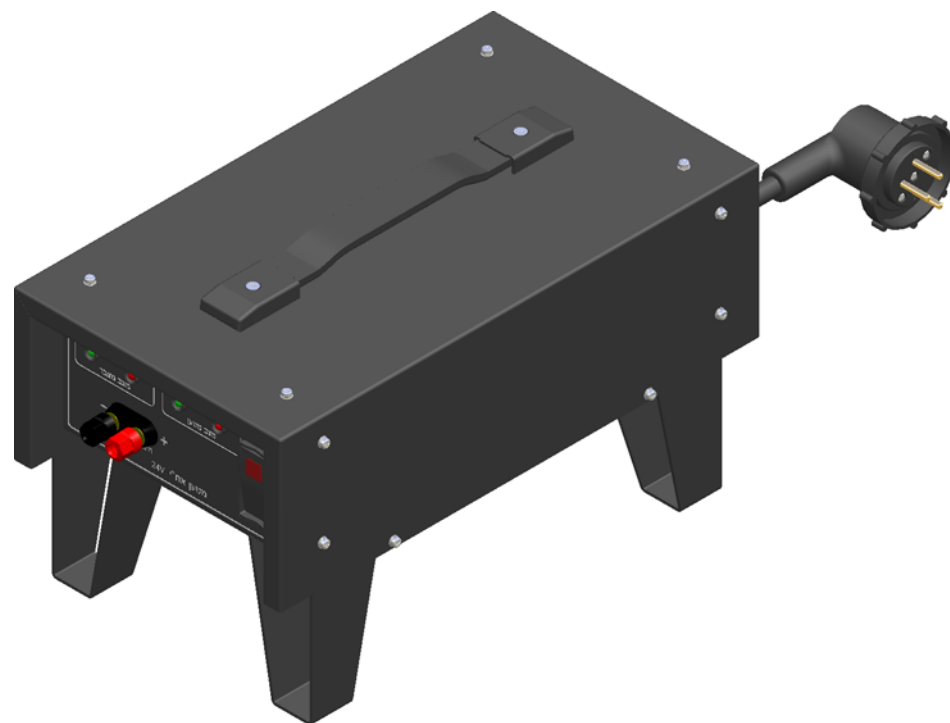
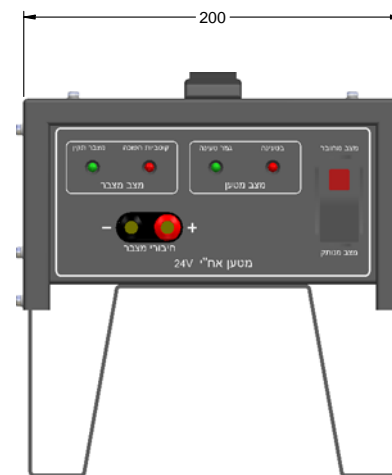
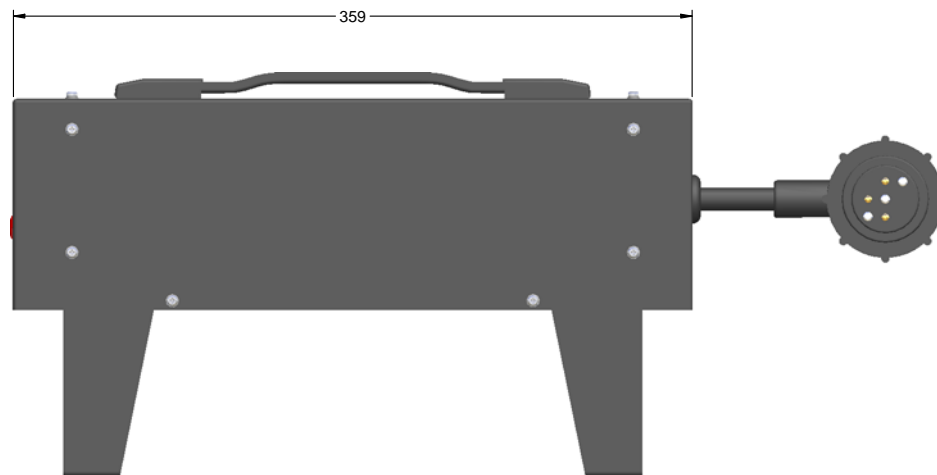
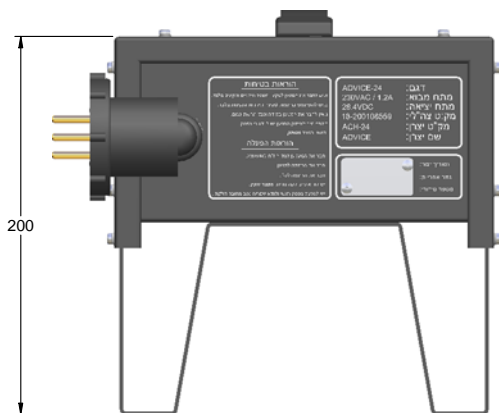


Fig. 1 Charging characteristic.

REVISION HISTORY			
REV	DESCRIPTION	DATE	APPROVED



NAME	DATE	ADVICE ELECTRONICS LTD.	
DRAWN: valery	11/17/09	Your Reliable Power Supplier For UPS and Power Supplies	
CHECKED: Valery Reizis		TITLE: ACH-24 GENERAL	
ENG APPR: Roman Mag.		SIZE: A2 DWG NO: AD025-0202-00	
MGR APPR:		FILE NAME: ACH 24 GENERAL.dft	
UNLESS OTHERWISE SPECIFIED DIMENSIONS ARE IN MILLIMETERS ANGLES +XX° 2 PL +XXX 3 PL +XXXX		SCALE:	WEIGHT: SHEET 1 OF 3